

SCT3258TD

DMR/dPMR Processor with Analog Mode (Embedded AMBE+2™ Vocoder)

The SCT3258TD is a highly integrated, low power, high performance, Digital/Analog PMR/LMR baseband processor with an embedded Vocoder.

Features

Supports Multiple Radio Protocols

Automatic Digital/Analog mode detection

DMR standard

- Supports DMR Tier 1, Tier 2
- Air interface Layer 1, Layer 2, Layer 3
- Full Annex C support
- Transmit in slotted or continuous mode
- Receive in slotted or continuous mode

dPMR standard

- Supports dPMR Tier 1, Tier 2
- Air interface Layer 1, Layer 2, Layer 3
- Supports 1031 Hz Tone and Silence Test Mode
- Full Annex A support

Analog Mode

- Full audio processing including compander
- CTCSS/DCS detection/generation
- Supports two-point modulation

Embedded Vcoders

- Support for multiply vocoders
- Embedded: AMBE+2™, RALCWI™
- External vocoder options

4FSK Modem

- 4800/9600 data rate
- Automatic frame sync detection
- Programmable modulation index

Low power operation

- DMR mode 64mW
- dPMR mode 38mW

The SCT3258TD is available from CML's 'Sicom Technologies' product range that is specifically targeted at high volume and low cost radio applications.

The SCT3258TD includes the entire physical layer, data link layer and much of the call control layer processing of the digital PMR/LMR radio protocols. Combined with a suitable RF front end, external audio codec and host controller, a complete digital radio that also supports analog mode can be developed in a short time frame.

A hardware development kit is also available SCT3258HDK. The Design Reference SCT9366D provides an easy route to developing a 5W multi-mode DMR/dPMR/Analog radio.

For further details please visit CML's website and technical portal at www.cmlmicro.com.



QFN64 Package

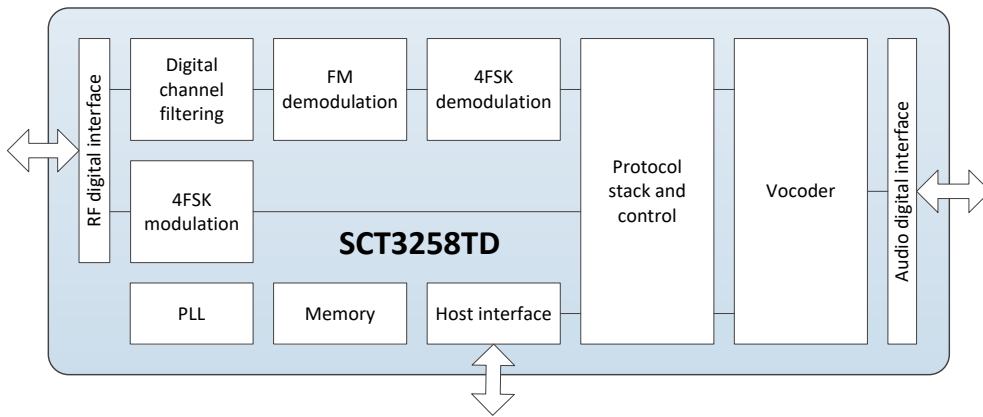
Applications

- DMR Radio
- dPMR Radio
- Multi-mode Digital PMR/LMR with Analog Mode

Key Advantages

- Proven Technology
- Complete solution capability
 - Dedicated chipset
 - ETSI focused design reference
- Fast route to market
- Low operating power
- Highly integrated solution
- RF support:
 - Conventional FM receiver
 - Direct Conversion receiver
- Embedded AMBE+2™ Vocoder option
- Fully supported evaluation kits

Block Diagram



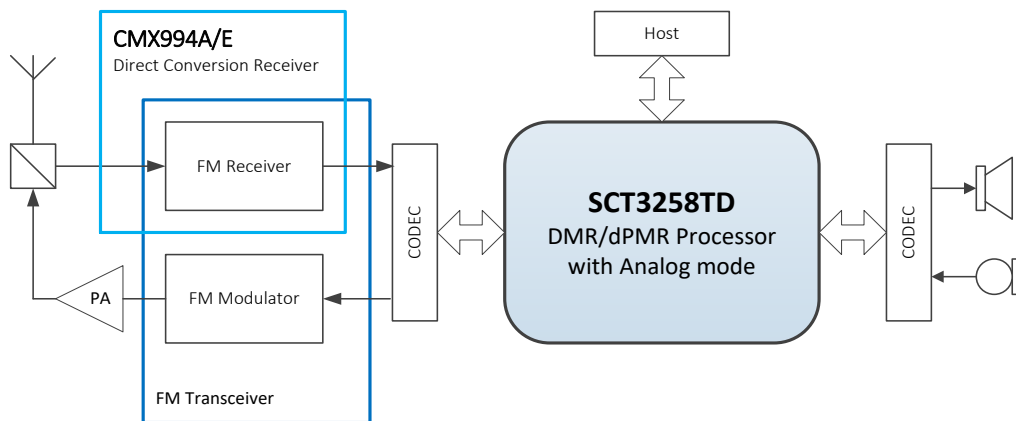
Evaluation Support



SCT3258 HDK

SCT9366D Design Reference

Typical Application



RALCWI is a trademark of CML Microsystems Plc and AMBE+2 is a trademark of Digital Voice Systems Inc..

WHAT TO DO NEXT

Visit: www.cmlmicro.com

Find: [Distributor](#)

Wuxi Sicomm Communication Technologies Inc. is a CML Microsystems PLC Company and products are available through CML Microcircuits and its distributors. For information on this and other Sicomm products please contact your local CML Sales representative.



United Kingdom tel: +44 (0) 1621 875500

email: sales@cmlmicro.com
techsupport@cmlmicro.com

Singapore tel: +65 62888129

email: sg.sales@cmlmicro.com
sg.techsupport@cmlmicro.com

www.cmlmicro.com

United States tel: +1 336 744 5050
800 638 5577

email: us.sales@cmlmicro.com
us.techsupport@cmlmicro.com