

AWS-8259

Modular Workstation with 15"
LCD and 9 Expansion Slots



Introduction

AWS-8259's 15" high-brightness 1024 x 768 TFT LCD fulfills the request for super large information viewing. Plus with front On-Screen-Display (OSD) keys and water-proof touch pad features, maintenance staff can operate or key-in data quickly without an external keyboard or mouse. With a two-piece modular design, the LCD display and chassis can separate for easier installation in either rack, panel or wall mount due space concerns. The Backlight, inverter and LCD module can even be repaired quickly from the display box.

Specifications

- **Front Panel:** aluminum, meets NEMA4/IP65
- **LCD Display Interface:** VGA
- **Display Setting:** OSD on front panel
- **Disk Drive Housing:** supports one slim 3.5" FDD, one 3.5" HDD & one slim CD-ROM (HDD and CD-ROM optional)
- **Cooling System:** one 86 CFM fan
- **Membrane Keypads:** one with 39 operating keys, one with 10 function keys and 10 programmable macro function keys
- **Keyboard:** 6-pin PS/2 keyboard connector with dust-protection door on front panel
- **Touch Pad Interface:** PS/2 mouse
- **Indicators:** LEDs for power on/off and HDD activity
- **Touchscreen (optional):** analog resistive type with RS-232 controller
- **Operating Temperature:** 0° ~ 50° C (32° ~ 122° F)
- **Relative Humidity:** 5 ~ 85% @ 40° C, non-condensing
- **Storage Temperature:** -20° ~ 60° C

- **Storage Humidity:** 5 ~ 95% non-condensing
- **Dimensions (W x H x D):** 482 mm x 356 mm x 229 mm (19.0" x 14.0" x 9")
- **Gross Weight:** 22 kg (48 lbs)
- **CE, FCC, BSMI compliant**

Passive Backplane

- **PCA-6109P4:** 4 PCI, 4 ISA, 1 CPU slot backplane
- **PCA-6109:** 9 ISA slot backplane

Power Supply

AC input 300 W (standard offer)

- **Input:** 90 ~ 135 V_{AC} or 180 ~ 265 V_{AC}, switchable
- **Output:** +5 V @ 30 A; +12 V @ 15 A; +3.3 V @ 24 A
-5 V @ 0.3 A; -12 V @ 0.8 A; +5 V_{SB} @ 2 A
- **MTBF:** 100,000 hours
- **Safety:** UL/CSA/TUV

LCD Display

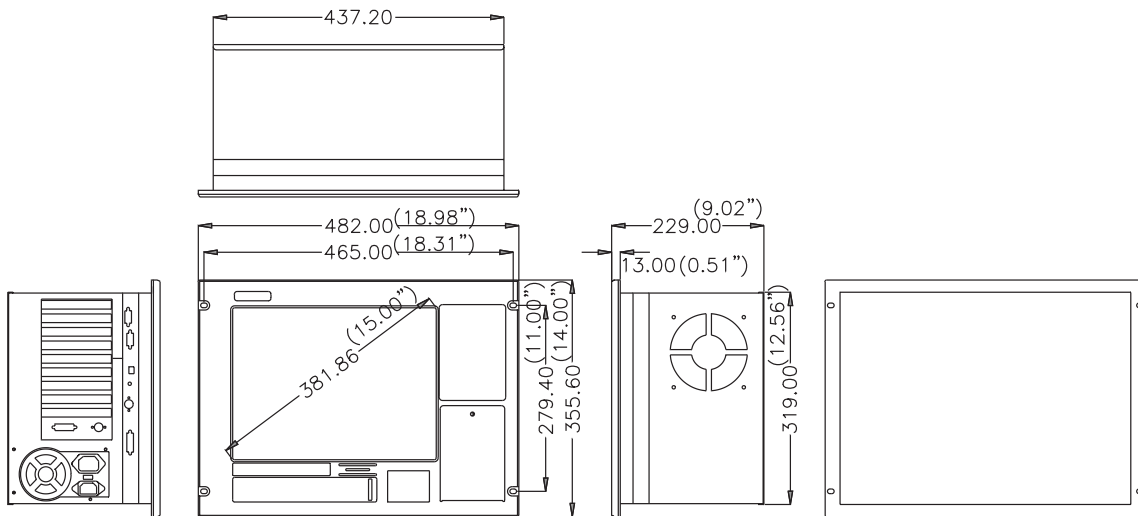
	AWS-8259
Display type	15" SVGA TFT LCD
Max. resolution	1024 x 768
Maxi. colors	262 K
Luminance	200 cd/m ²
Viewing angle	120° (H), 100° (V)
Operating temperature	0 ~ 50° C
LCD MTBF	50,000 hours
Backlight lifetime	25,000 hours

CE FC BSMI

Modular Workstation with 15" LCD and 9 Expansion Slots

Dimensions

Unit: mm (inch)



Cut-out dimensions (W x H): 443 x 325 mm (17.4" x 12.8")

Side View



Ordering Information

- AWS-8259TP**
15" TFT, 4 ISA & 4 PCI & 1 CPU slots, 300 W 110/220 V AC power supply, 3.5" slim FDD
- AWS-8259T**
15" TFT, 9 ISA slots, 300 W 110/220 V AC power supply, 3.5" slim FDD
- AWS-8259TP-T**
AWS-8259TP with resistive touchscreen (RS-232 interface)
- AWS-8259T-T**
AWS-8259T with resistive touchscreen (RS-232 interface)

Accessories

- CDR-8259-24x**
Slim 24x CD-ROM

Optional PCI Fieldbus Card

- Support CANopen, DeviceNet or Profibus by request

WebLink
WebOT 1

IPPC &
AWS 2

TPC 3

FPM 4

IPC 5

UNO-
2000 6

ICOM 7

DA&C 8

cPCI 9

ADAM-
3000 10

ADAM-
4000 11

ADAM-
5000 12

ADAM-
6000 13

ADAM-
8000 14

Industrial
Converters 15

VBOX 16

Software 17

Index