

Type N M/F Coaxial RF Surge Protector, 10MHz - 1GHz, DC Block, 1.5kW, 3.5mJ, 20kA, Blocking Cap, Bracket Up, Hole Mount



IS-B50LN-C0-MA

Features

- Surge current of 20kA
- Max Power 1.5kW
- Frequency range from 10 MHz to 1 GHz
- N Male to N Female connectors
- VSWR 1.1:1
- Multi-strike capability
- CE & RoHS compliant

Applications

- HF, UHF and VHF radios
- Ham radios
- Remote industrial monitoring

Description

RF surge protector (also known as lightning arrester or surge arrester) IS-B50LN-C0-MA from PolyPhaser, integrating a RF blocking capacitor with a gas tube (GT or GDT). This RF surge protector component is manufactured in a coaxial in-line design with wide operating frequency range. All PolyPhaser RF surge protector products are available in stock with same day shipping.

Electrical Specifications

Surge Protector Type
DC Handling

Blocking Cap and Gas Tube
DC Block

Description	Minimum	Typical	Maximum	Units
Frequency Range	10		1,000	MHz
Impedance		50		Ohms
VSWR			1.1:1	
Insertion Loss			0.1	dB
Input Power, CW			1.5	kWatts
1.5kW @ 10 to 50MHz				
375W @ 50 to 220MHz				
125W @ 220 to 700MHz				
50W @ 700 to 1000MHz				
Surge Current			20	kA
IEC 61000-4-5 8/20µs waveform multiple				
Throughput Energy			3.5	mJ
for 3kA 8/20µs waveform				

Click the following link (or enter part number in "SEARCH" on website) to obtain additional part information including price, inventory and certifications:
[Type N M/F Coaxial RF Surge Protector, 10MHz - 1GHz, DC Block, 1.5kW, 3.5mJ, 20kA, Blocking Cap, Bracket Up, Hole Mount IS-B50LN-C0-MA](#)

Type N M/F Coaxial RF Surge Protector, 10MHz - 1GHz, DC Block,
1.5kW, 3.5mJ, 20kA, Blocking Cap, Bracket Up, Hole Mount



IS-B50LN-C0-MA

Mechanical Specifications

Size

Length	1 in [25.4 mm]
Width/Diameter	2.25 in [57.15 mm]
Height	2.5 in [63.5 mm]
Weight	0.36875 lbs [167.26 g]

Configuration

Input Connector	N Male
Output Connector	N Female

Environmental Specifications

Temperature

Operating Range	-50 to +50 deg C
Storage Range	-55 to +85 deg C

Ingress Protection (IP) Rating	None
Vibration	1G up to 100Hz

Compliance Certifications

RoHS
CE

Plotted and Other Data

Notes:

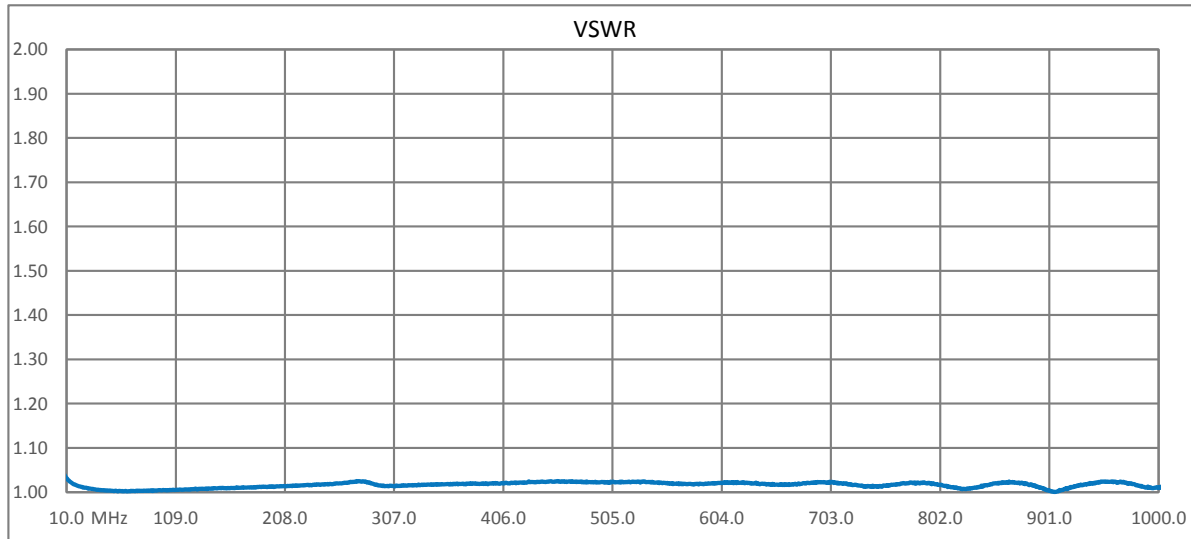
Click the following link (or enter part number in "SEARCH" on website) to obtain additional part information including price, inventory and certifications:
[Type N M/F Coaxial RF Surge Protector, 10MHz - 1GHz, DC Block, 1.5kW, 3.5mJ, 20kA, Blocking Cap, Bracket Up, Hole Mount IS-B50LN-C0-MA](#)

Type N M/F Coaxial RF Surge Protector, 10MHz - 1GHz, DC Block, 1.5kW, 3.5mJ, 20kA, Blocking Cap, Bracket Up, Hole Mount



IS-B50LN-C0-MA

Typical Performance Data

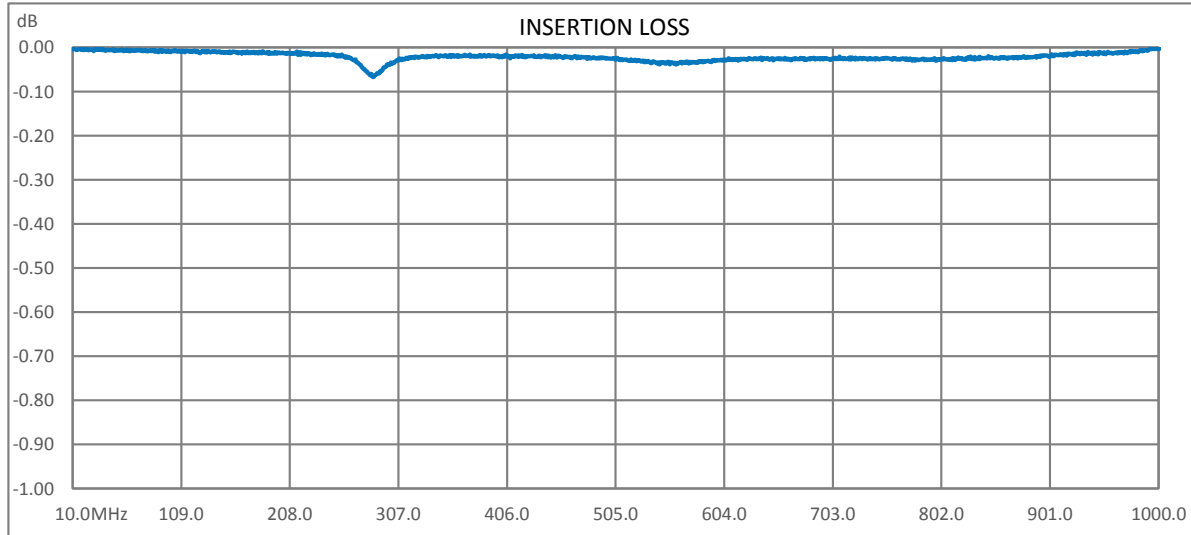


Click the following link (or enter part number in "SEARCH" on website) to obtain additional part information including price, inventory and certifications:
[Type N M/F Coaxial RF Surge Protector, 10MHz - 1GHz, DC Block, 1.5kW, 3.5mJ, 20kA, Blocking Cap, Bracket Up, Hole Mount IS-B50LN-C0-MA](#)

Type N M/F Coaxial RF Surge Protector, 10MHz - 1GHz, DC Block, 1.5kW, 3.5mJ, 20kA, Blocking Cap, Bracket Up, Hole Mount



IS-B50LN-C0-MA



PolyPhaser protects and increases the reliability of global RF communications networks, including transportation, telecommunications, defense, security and industrial applications, with superior RF surge protection technologies including DC Block, DC Pass and Ultra Low PIM. Backed by responsive service and expert technical support PolyPhaser continually expands its product offering and services to serve engineers' urgent needs for RF components in mission critical communication networks.

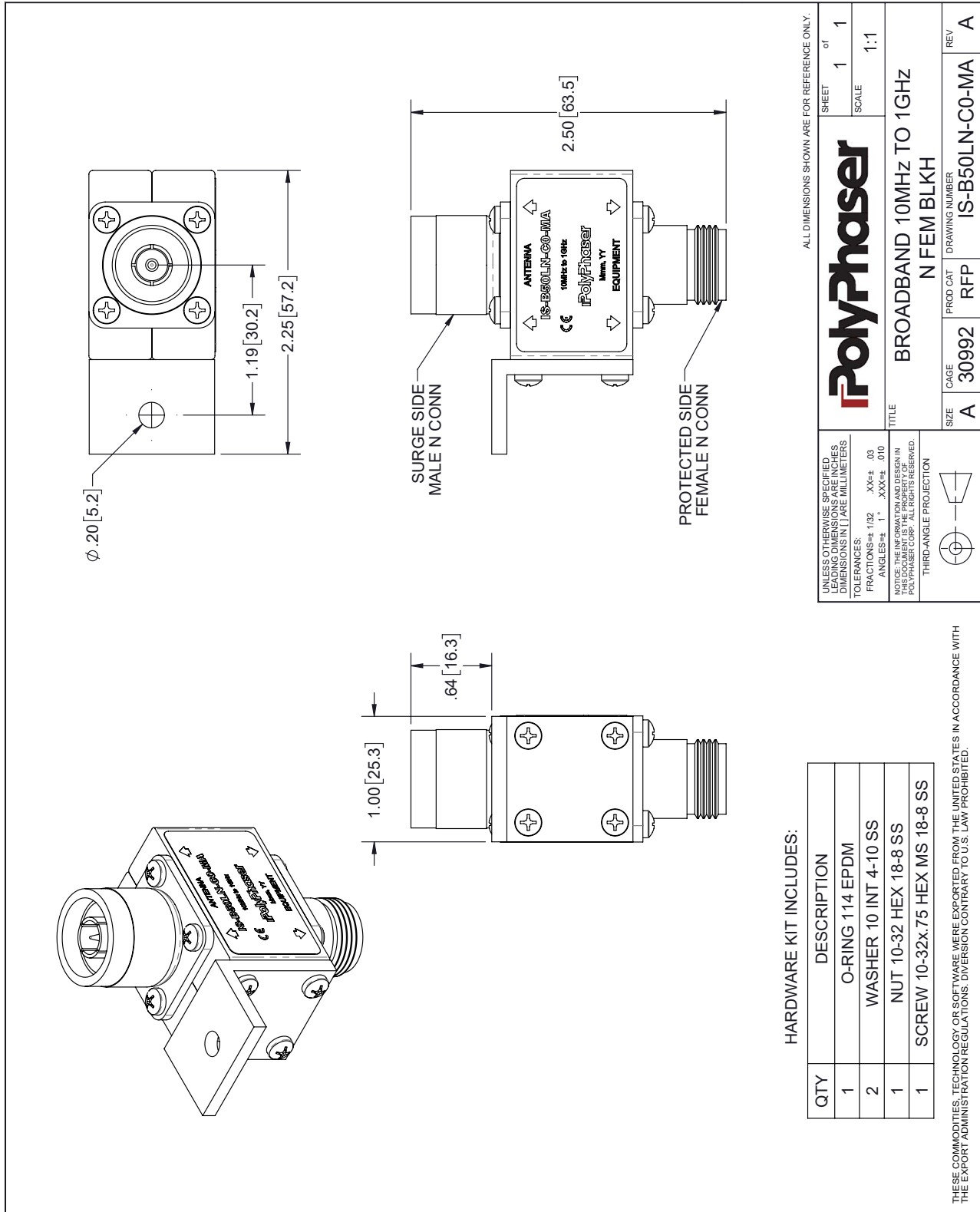
Click the following link (or enter part number in "SEARCH" on website) to obtain additional part information including price, inventory and certifications: [Type N M/F Coaxial RF Surge Protector, 10MHz - 1GHz, DC Block, 1.5kW, 3.5mJ, 20kA, Blocking Cap, Bracket Up, Hole Mount IS-B50LN-C0-MA](#)

URL: <https://www.polyphaser.com/type-n-surge-protector-1ghz-blocking-cap-gas-tube-is-b50ln-c0-ma-p.aspx>

The information contained in this document is accurate to the best of our knowledge and representative of the part described herein. It may be necessary to make modifications to the part and/or the documentation of the part, in order to implement improvements. PolyPhaser reserves the right to make such changes as required. Unless otherwise stated, all specifications are nominal. PolyPhaser does not make any representation or warranty regarding the suitability of the part described herein for any particular purpose, and PolyPhaser does not assume any liability arising out of the use of any part or documentation.

Type N M/F Coaxial RF Surge Protector, 10MHz - 1GHz, DC Block, 1.5kW, 3.5mJ, 20kA, Blocking Cap, Bracket Up, Hole Mount

IS-B50LN-C0-MA CAD Drawing



ALL DIMENSIONS SHOWN ARE FOR REFERENCE ONLY.

<p>PolyPhaser</p>		SHEET	1	of	1
		SCALE	1:1		
<p>TITLE</p>		<p>BROADBAND 10MHz TO 1GHz N FEM BLKH</p>			
SIZE	CAGE	PROD CAT	RFP	DRAWING NUMBER	REV
A	30992	RFP	IS-B50LN-C0-MA		A
<p>UNLESS OTHERWISE SPECIFIED LEADING DIMENSIONS ARE INCHES DIMENSIONS IN [] ARE MILLIMETERS</p> <p>TOLERANCES: FRACTIONS: 1/32 .XX± .03 ANGLES: 1° .XXX± .010</p> <p>THIRD-ANGLE PROJECTION</p>					

HARDWARE KIT INCLUDES:

QTY	DESCRIPTION
1	O-RING 114 EPDM
2	WASHER 10 INT 4-10 SS
1	NUT 10-32 HEX 18-8 SS
1	SCREW 10-32x.75 HEX MS 18-8 SS

THESE COMMODITIES, TECHNOLOGY OR SOFTWARE WERE EXPORTED FROM THE UNITED STATES IN ACCORDANCE WITH THE EXPORT ADMINISTRATION REGULATIONS. DIVERSION CONTRARY TO U.S. LAW PROHIBITED.