

# PPC-L128T

## 12.1" Fanless Panel PC with Intel® Atom™ N270 Processor

**NEW**



### Features

- 12.1" TFT XGA LCD with optional resistive touchscreen
- Embedded Intel® Atom™ processor N270 1.6 GHz
- Supports up to 2 GB DDR2 SDRAM
- Supports one internal SATA 2.5" HDD
- Support six USB 2.0 ports (4 external/ 2 internal), Dual Gigabit Ethernet
- Optional PCI/PCIe x 1 expansion kit
- Fanless and ultra-low power consumption
- Automatic data flow control over RS-485 (COM2)



### Introduction

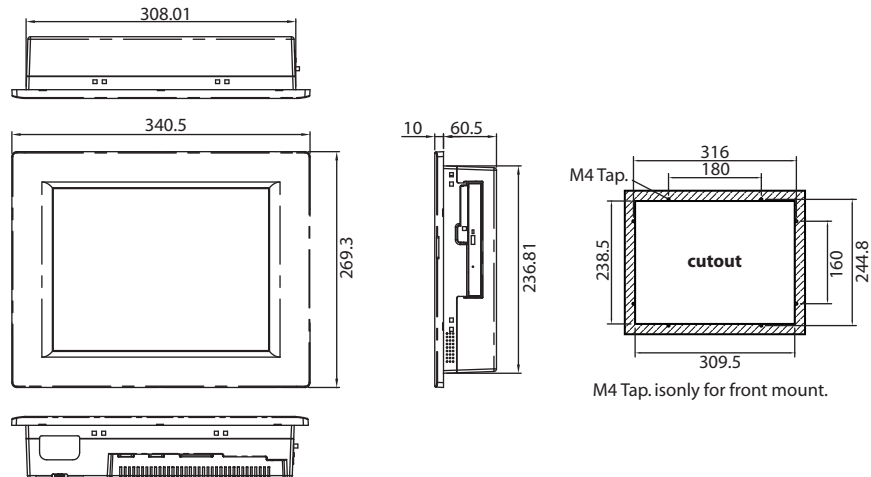
The PPC-L128T is 12.1" Fanless panel PC that delivers high performance while consuming low power. The PPC-L128T operates with low noise and provides display resolutions up to 1024 x 768 (XGA) pixels. The PPC-L128T is equipped with dual Gigabit Ethernet connectors supporting either failover or LAN teaming. Advantech's customization services and optional accessories including wireless modules, battery packs, and SATA optical devices, allow system integrators to design tailor-made solutions to a host of industrial applications. And PPC-L128T optionally supports a sunlight readable display, making it suitable for outdoor use.

### Specifications

Processor System	CPU	Intel Atom Processor N270 1.6 GHz	
	CPU Front Side Bus	533 MHz	
	Chipset	Intel 945GSE + Intel ICH7M	
	Secondary Cache	512 KB L2 Cache	
	Memory	200-pin DDR2 533 SODIMM x1 Up to 2 GB	
	Combo Drive	Optional (989KL12801E)	
	SSD	Supports one CompactFlash Type II, socket	
	HDD	One internal SATA interface- 2.5" Type	
	Network (LAN)	2 x 10/100/1000 Mbps (RJ-45)	
	Fully Integrated I/O and Speakers	3 Serial Ports: RS-232 x 2, RS-232/422/485 x 1; 1 GPIO port 1 VGA Port ; PS/2 Mouse and Keyboard Line-in/ Line-out/ Mic-in Built-in 1W x 2 speakers, USB 2.0 ports x 4	
Bus Expansion	1 x expansion slot for PCI/PCIe card 1 x MINI PCIe slot		
Front Panel Protection	IP65 compliant		
Weight	3.63 kg (7.98 lb)		
Dimensions (W x H x D)	340.5 x 269.3 x 70.5 mm (13.41" x 10.6 x 2.78")		
OS Support	Microsoft Windows XPe/XP Pro, Vista		
Power Supply	12 ~ 24 V <sub>DC</sub> , 15 ~ 24 V <sub>DC</sub> with battery pack, PPC-L128T-R81 not support battery		
LCD Display		PPC-L128T-R80/O80 series	PPC-L128T-R81/O81 series
	Display Type	12.1" Color TFT LCD	12.1" Color TFT LCD (LED backlight)
	Max. Resolution	1024 x 768	1024 x 768
	Colors	262 K	262 K
	Pixel Pitch (mm)	0.240 x 0.240	0.240 x 0.240
	Viewing Angle	160°/160°	160°/140°
	Luminance (cd/m <sup>2</sup> )	450	600
	Brightness Control	Yes (by BIOS)	Yes (by BIOS)
Backlight Lifetime	50,000 hours	50,000 hours	
Touchscreen (optional)	Type	Analog Resistive 5 wires (ELO)	Analog Resistive 5 wires (AMT), Anti-Corrosive type
	Resolution	Continuous	Continuous
	Light Transmission	80 %	80 %
	Controller	USB Interface	RS232 Interface (COM4)
Durability (Touches)	35 million	35 million	
Environmental Specifications	Operating Temperature	0-45° C (32-113° F); 0-35° C with battery pack	
	Relative Humidity	10 ~ 95 % @ 40° C, non-condensing	
	Shock	10 G peak acceleration (11ms duration)	
	Vibration	1 G	
	EMC	CE, FCC Class B, BSMI	
	Safety	CE CB, UL, BSMI, CCC , VCCI	

## Dimensions

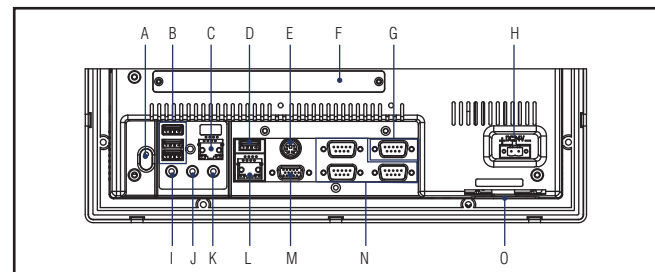
Unit: mm



## Ordering Information

Part NO	Description
PPC-L128T-080-XE	Intel Atom processor N270 1.6 GHz fanless panel PC with 12.1" TFT LCD
PPC-L128T-R80-XE	PPC-L128T-080-XE with resistive touchscreen
PPC-L128T-R80-WXE	PPC-L128T-080-XE with resistive touchscreen (White)
PPC-L128T-RXPE0E	PPC-L128T w1G Memory/ Windows XPE XPE on 160G HDD
PPC-ARM-A03	VESA Stand ARM for PPC series
PPC-174 WL-MT	Wall mount kit for PPC-174T
PPC-L126 STAND	Stand desktop stand for PPC-L126T/PPC-L127T
PPC-L126Rack-MT	19" Rack mounting kit for PPC-L126/ PPC-L127 /L128
PPC-L128-EXPE	PCI/PCle expansion kit for PPC-L128
PS-DC19-L157E	19V DC power adapter module for PPC-L128/PPC-L157
1760000837	Smart Li-ion 3S2P 11.1V 4400 mAh -LTC4006/L127 Not support PPC-L128T-R81/081 series
1700001524	Power cord 3P UL 10A 125V 1.8M
989KL128T00E	Slim type DVD-RW Module for PPC-L128
989KL128T02E	Wireless LAN Module for PPC-L128
PPC-L128T-081-XE	Intel Atom processor N270 1.6 GHz Fanless panel PC with 12.1" TFT LCD (LED backlight, not support battery)
PPC-L128T-R81-XE	PPC-L128T-081-XE with resistive touchscreen (LED backlight, not support battery)

## I/O Outlook



- A. Main power switch
- B. USB 2.0 x 3
- C. Ethernet jack
- D. USB 2.0
- E. PS/2 mouse and keyboard
- F. PCI/PCle expansion slot cover
- G. GPIO port
- H. DC inlet
- I. Line-in jack
- J. Line-out jack
- K. Mic-in jack
- L. Ethernet jack
- M. VGA port
- N. Serial ports
- O. Battery door cover

