

PPC-L106T

Fanless Panel PC with 10.4" TFT LCD & Touchscreen and AMD Geode™ LX 800 (500 MHz) Processor



Features

- 10.4" TFT LCD
- AMD Geode™ LX 800 (500 MHz) CPU on board
- System memory up to 1 GB SDRAM (256 MB default built-in)
- One Compact Flash © Type II socket (True IDE Mode)
- 10/100Base-T Ethernet or Dual LAN (Optional)
- Fanless and ultra-low power consumption
- Brightness control from 0 ~ 100%
- Optional PCI/ISA expansion kit
- Same housing as PPC-105T
- Automatic data flow control over RS-485

Introduction

PPC-L106T fanless Panel PC supports the low power AMD Geode LX 800 (500 MHz) processor. It is a powerful and compact Panel PC ideally suited for operator interface (HMI) applications. Its 10.4" 800 x 600 display, 1 GB SDRAM capacity and auto-sensing 10/100Base-T Ethernet controller makes it the ideal choice for many applications. For example, thin clients, health care and other networked environments, in addition to traditional process control industrial automation.

Specifications

- **CPU** Onboard AMD Geode LX 800 (500 MHz)
 - **Memory** 1 x 200-pin SODIMM socket that accepts a 256/512/1204 MB DDR 266/333
Standard is built-in 256 MB
 - **Chipset** AMD Geode CX5536
 - **BIOS** 4 Mbit Flash BIOS
 - **SSD** 1 x Type II Compact Flash, built in 64MB in PPC-L106T-CE-RTE
 - **HDD** 1 x internal IDE interface, 2.5" drive
 - **Watchdog Timer** 255 levels timer interval, setup by software
 - **Bus Expansion** 1 x optional PCI/ISA expansion kit
1 x Mini PCI socket
 - **Dimensions (W x H x D)** 342 x 265 x 92.4 mm (13.5" x 10.4" x 3.64")
 - **Weight** 3.2 kg (7.1 lbs)
- #### Complete I/O Ports
- **Serial Ports** 3 x RS-232, 1 x RS-232/422/485 (COM 2)
 - **Parallel Port** 1 x SPP/EPP/ECP port
 - **Keyboard/Mouse Port** PS/2 interface
 - **VGA** Supports simultaneous CRT displays
 - **Sound** Mic-in/Line-out
 - **Ethernet** 10/100 Mbps, Dual LAN(Optional)
 - **USB ports** 2 external USB 2.0, 2 internal USB2.0
- #### LCD Display
- **LCD Type** 10.4" color TFT LCD
 - **Resolution/Colors** 800 x 600 @ 262 K
 - **Pixel Pitch (mm)** 0.264 x 0.264

- **Luminance (cd/m²)** 230
- **Viewing Angle** 60° (left), 60° (right), 35° (up), 60° (down)
- **VR Adjustment** Yes
- **Simultaneous Mode** Yes
- **Backlight MTBF** 20,000 hrs (min.)

Power Supply

AC model

- **Output Rating** 65 W
- **Input Voltage** 100 ~ 240 V_{AC} @ 50/60 Hz, autoranging
- **Output Voltage** +5 V @ 3.5 A, +12 V @ 4 A

Touchscreen (optional)

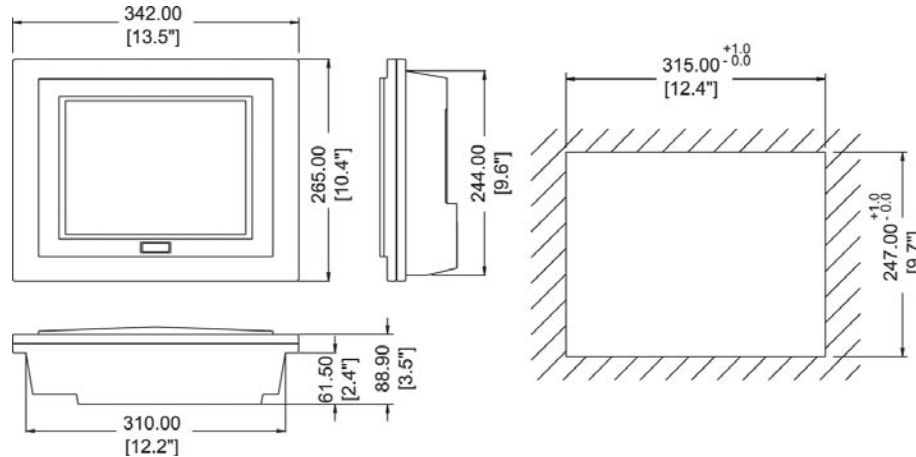
- **Type** Analog resistive, continuous resolution
- **Light Transmission** 80%
- **Controller** RS-232 interface (COM 4)
Optional USB interface
- **Software Driver** Supports Windows XP, CE
- **Lifetime** 35 million touches

Environmental Specifications

- **Operating Temperature** 0 ~ 45° C (32 ~ 113° F)
- **Relative Humidity** 10 ~ 95% @ 40° C (non-condensing)
- **Shock (Operating)** 10 G peak acceleration (11 ms. duration)
- **EMC** CE, FCC Class B, BSMI
- **Safety** UL, CE, 3C, BSMI
- **Front Panel Protection** IP 65/NEMA 4 compliant
- **Vibration** 1 G

Dimensions

Unit: mm (inch)



Ordering Information

- **PPC-L106T-070-XE** AMD Geode LX 800 (500 MHz) Process based Fanless Panel PC with 10.4 TFT LCD (Build in 256 MB DRAM)
- **PPC-L106T-R70-XE** PPC-L106T-070-XE with resistive touch screen
- **PPC-L106T-CE-RTE** PPC-L106T with Windows CE.NET(English) on 64MB Compact Flash
- **PPC-105 Rack MT** 19" Rack Mounting kit for PPC-103/105/L106T
- **PPC-100 Stand** Stand kit for PPC-100/102/103/105/L106T series
- **PPC-100 SWINARM** Swingarm kit for PPC-100/103/105/L106T series
- **PPC-100 WALL-MT** Wall mount kit for PPC-100/103/105/L106T series
- **PPC-EXP-L106** PCI/ISA expansion kit for PPC-L106T

Feature Details

Various applications for the PPC-L106T

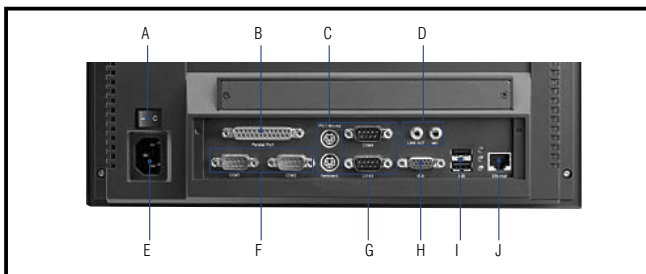
PPC-L106T's back panel I/O and integrated all-in-one single board computer make it the ideal choice to control a dedicated system in a wide variety of applications. Applications include:

- Control or data entry operator interfaces
- Information management and retrieval terminals
- Entertainment management systems
- Point of sale (POS) terminals
- Banking/office automation

Slim and compact PC terminal with LCD

The PPC-L106T is the most versatile 10.4" LCD PC available. The slim chassis fits anywhere and can be mounted in several different configurations. It can be panel mounted, wall mounted or placed upright on a desktop. Integrating the PPC-L106T into a custom system is made simple through its open-system design and comprehensive back panel I/O interface.

Fully-Integrated I/O



- | | |
|--------------------------|-------------------|
| A. Power switch | F. COM ports |
| B. Parallel port | G. COM ports |
| C. PS/2 mouse & keyboard | H. VGA port |
| D. Mic-in/Line-out | I. USB ports V2.0 |
| E. AC inlet | J. Ethernet |