

PPC-155T

15" Panel PC with Intel® Pentium®/ Celeron® M Processor



Features

- 15" TFT XGA LCD
- Intel® Pentium®/Celeron® M up to 1.8 GB/1.5 GB
- System memory up to 2 GB DDR RAM
- Built-in CF card interface (IDE interface for OS booting)
- Two 10/100 Mbps Ethernet ports; Two IEEE 1394 ports
- Resistive, capacitive, and SAW touch screens available
- LED Indicator for Power, LAN and Hard Disk
- Light sensor supports automatic backlight control



Introduction

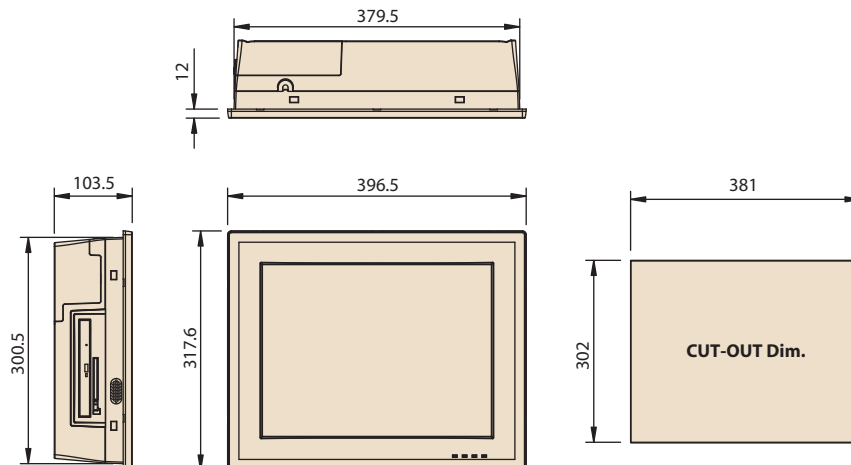
The PPC-155T is an Intel Pentium/Celeron M based Panel PC with 15" color TFT LCD (resolution up to 1024 x 768). PPC-155T has minimized thermal and noise impact and optimized I/O throughput performance. It features multimedia devices, various connectors, and can be installed in virtually any application. In addition, its user-friendly interface makes it a great host for information appliances.

Specifications

Processor System	CPU	Supports Socket 478 based Pentium / Celeron M up to 1.8G /1.5G		
	Dimensions (W x H x D)	396.5 x 317.6 x 103.5 mm (15.6" x 12.5" x 4.08")		
	Front Panel Protection	IP65/NEMA 4 compliant (not for SAW model)		
	HDD	IDE HDD interface (2.5" HDD bay), SATA interface is available, but converter board needed.		
	CD-ROM Drive	Optional 24X or above		
	DVD+-RW Drive	Optional 8X or above		
	Combo Drive	Optional DVD/CD-RW 8D/24W/24E/24R or above		
	Memory	Supports up to 2 GB DDR SDRAM (184-pin)		
	FDD	Optional		
	Network (LAN)	2 x ports 10/100 Mbps Ethernet interface		
I/O Ports	- 3 x COM ports: 2 x RS-232, 1 x RS-232/422/485		- 1 x PS/2 mouse and keyboard interface	
	- 4 x USB 2.0 ports		- Mic-in, Line-in, Line-out	
	- 1 x PCMCIA Type II		- 2 x IEEE 1394 ports	
Bus Expansion	1 x PCI expansion slot, 1 x Mini PCI card			
Environmental Specifications	Operating Temperature	0 ~ 50° C (32 ~ 122° F)		
	Relative Humidity	5% ~ 85% non-condensing		
	Shock	10 G peak acceleration (11 msec. duration)		
	EMC	BSMI, VCCI, CE, FCC Class B, CCC		
	Safety	CB, CE, UL		
Power Supply	Output Rating	100 W (max.)		
	Input Voltage	100 ~ 250 Vdc @ 50 ~ 60 Hz		
	Output Voltage	+3.3 V @ 8.0 A, +5 V @ 12.0 A, +12 V @ 4.0 A, -12 V @ 0.2 A, +5 Vsb @ 2.0 A		
LCD Display	Display Type	15" Color TFT LCD		
	Max. Resolution	1024 x 768		
	Max. Colors or Grayscales	262 K		
	Pixel Pitch (mm)	0.297 x 0.297		
	Luminance (cd/m ²)	350		
	Contrast Ratio	400 : 1		
	Viewing Angle	60° (left), 60° (right), 40° (up), 60° (down)		
	Operating Temperature	0 ~ 50° C		
	VR Controls	Brightness		
Simultaneous Mode	Yes			
LCD MTBF	50,000 hrs			
Touchscreen (Optional)	Types	Analog Resistive	Capacitive	Surface Acoustic Wave
	Resolution	Continuous	1024 x 1024	4096 x 4096
	Light Transmission	80%	91.5%	91%
	Controller	RS-232 Interface	RS-232 Interface	RS-232 Interface
	Power Consumption	+5 V @ 200 mA	+5 V @ 100 mA	+5 V @ 150 mA
	Software Driver	Supports both DOS and Windows		
	Durability (Touches)	35 million	225 million	50 million

Dimensions

Unit: mm (inch)



Ordering Information

Part No.	Description
PPC-155T-BAREE	Panel PC with 15" color TFT LCD display (resolution 1024 x 768)
PPC-155T-BARE-TE	PPC-155T Bare BOM with resistive touchscreen
PPC-155T-BARE-CE	PPC-155T Bare BOM with capacitive touchscreen
PPC-155T-BARE-SE	PPC-155T Bare BOM with SAW touchscreen
PPC-155 RACK-MT	19" Rack Mounting kit for PPC-155
PPC-155T STAND	Stand kit for PPC-154/155/175 Series
PPC-174 WL-MT	Wall mount kit for PPC-154/155 series
PPC-ARM-A03	VESA standard ARM for PPC-123/153/154/155 series
1702002600	Power Cable UL/CSA(USA) 180D 125V10A 1.83M
1702002605	POWER CABLE 90D 220V EUROPEAN 250V/6A 1.8M
989KP15500E	CD-ROM Module of PPC-155/175
989KP15501E	Combo Module OF PPC-155/175
989KP15502E	DVD-RW Module OF PPC-155/175
989KP15503E	Mini-PCI [VIA] 802.11b/g Wireless Module for PPC-155/175
989KP15504E	Mini-PCI [Realtek] 802.11b/g Wireless Module for PPC-155/175
9898007100E	2.5" PATA to SATA HDD Converter Board
989KP15505E	Optical Disc Drive Bracket for PPC-155/175 (Bracket only, W/O ODD)
PPC-FP-A01E	USB Fingerprint Accessory Kit

Feature Details

Protection

To meet the requirements of a public environment, the front panel PPC-155T complies with the IP65/NEMA 4 protection standard. Furthermore, the watchdog timer and power management features make the system secure and stable. The onboard hardware monitoring feature provides automatic protection function, which prevents the CPU from becoming overheated.

Networking

Three serial ports and two 10/100 Mbps Ethernet ports (Gigabit LAN are optional) gives the PPC-155T advanced networking capabilities, and provide a great solution for versatile applications.

Expansion

To extend functionality, the PPC-155T is designed with one expansion slot for PCI cards, four USB 2.0 (Universal Serial Bus) ports, and one PCMCIA card bus (Type II x 1). With these expansion capabilities, the PPC-155T not only functions as an HMI, but also as a computing center to build your applications on.

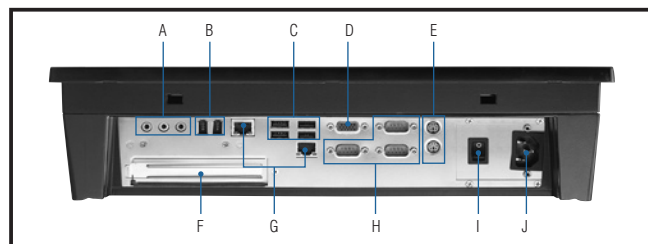
Easy Maintenance

Maintaining and replacing the LCD and touchscreen are made easier through the PPC-155T modular design. In order to replace a defective LCD or touchscreen, one merely needs to remove the front cover and LCD bracket instead of disassembling the whole system.

Touchscreen Options

Customers can choose from three optional types of standardized touchscreens: resistive, capacitive and SAW (Surface Acoustic Wave). These options make the PPC-155T a more user-friendly interface for different environments.

Fully Integrated I/O



- A. Line-in/Line-out / Mic-in
- B. IEEE 1394 x 2
- C. USB 2.0 x 4
- D. VGA port
- E. PS/2 mouse & keyboard
- F. PCI slot x 1
- G. 10/100 Base-T Ethernet x 2
- H. RS-232 x 2, RS-232/422/485 x 1
- I. Power switch
- J. AC Inlet