

FPM-8232V

23" UXGA Transflective Marine Grade Monitor with Resistive Touchscreen

NEW



Features

- 23" UXGA TFT LCD with transflective technology for outdoor visibility
- Dimming knob controls backlight brightness from nearly 0% to 100%
- Front OSD control with PIP (picture in picture) function
- Wide voltage power input 18~36VDC
- Direct-VGA, DVI-D, Video & S-Video input interfaces
- Chassis ESD/ grounding protection
- Robust design with anti-rust aluminum housing and IP65 complaint front panel
- DNV standard 2.4 certified and IEC-60945 & IACS-E10 approved
- Front access mounting mechanism for marine bridge systems

Introduction

FPM-8232V is a 23" UXGA monitor with transflective display & dimming knob control from 0% ~ 100%, designed for marine industry applications. Constructed from marine grade aluminum with a UV protected powder coating, FPM-8232V ensures reliability even in harsh outdoor conditions. FPM-8232V can also accept up to 4 common video inputs, including VGA, DVI, S-Video, and Video as well as three stage PIP (picture in picture) with floating and resizable windows. Advantech's marine display is the right choice for any marine application due to its ease of installation, outstanding viewing capabilities and reliability.

Specifications

General

- **Button Controls** Front OSD control pad with dimming control knob
- **Certifications** CE, FCC, DNV, IEC 60945, IACS-E10
- **Dimensions (WxHxD)** 584 x 534 x 115.1 mm (22.9" x 21" x 4.5")
- **Enclosure** Aluminum with coating
- **Mounting** Panel
- **Power Input** 80W, 18-36V, 6.3-3.15A
- **Video Port** VGA, DVI-D, Composite Video, S-Video
- **Weight** 18 Kg

LCD Display

- **Display Type** UXGA TFT LCD with transflective
- **Display Size** 23"
- **Max. Resolution** 1600 x 1200
- **Max. Colors** 16.7M
- **Luminance (cd/m2)**
 - 315 under ambient lighting 10,000 nits
 - 415 under ambient lighting 30,000 nits
 - 610 under ambient lighting 80,000 nits
- **Viewing Angle (H/V°)** 170/170
- **Backlight Life (hrs)** 50,000
- **Contrast Ratio** 500:1

Touchscreen (Optional)

- **Sensor** ELO
- **Lifespan** 35 million touches at single point
- **Light transmission** Above 75%
- **Resolution** Linearity
- **Type** 5-wire, analog resistive
- **OS** Windows 98/2000/CE/XP/XPe
- **Power Consumption** +5V @ 100mA

Environment

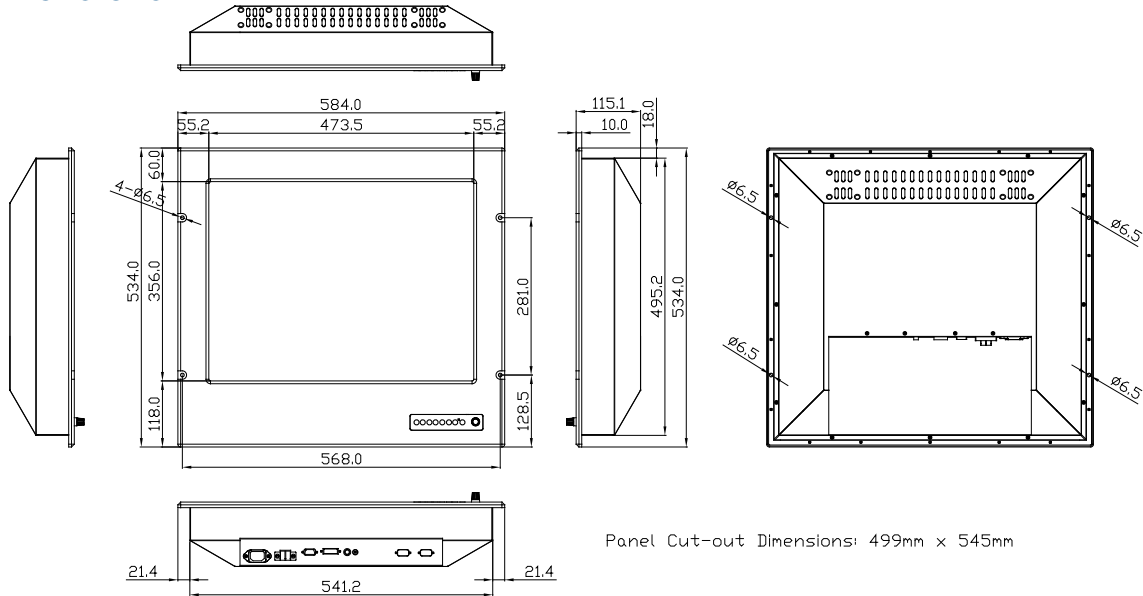
- **Operation Temperature** -10 ~ 55° C (14 ~ 131° F)
- **Storage Temperature** -40 ~ 70° C (-40 ~ 158° F)
- **Humidity (Storage)** 5% ~ 95% non-condensing
- **Waterproof Front Panel** IP65 compliant
- **Vibration** 5 ~ 500 Hz, 1 Grms (operating, random)

Ordering Information

- **FPM-8232V-X0AE** 23" UXGA Transflective Marine Grade Monitor with Direct-VGA, S-Video and DVI
- **FPM-8232V-R1AE** 23" UXGA Transflective Marine Grade Monitor with Resistive Touchscreen, Direct-VGA, S-Video and DVI

Dimensions

Unit: mm

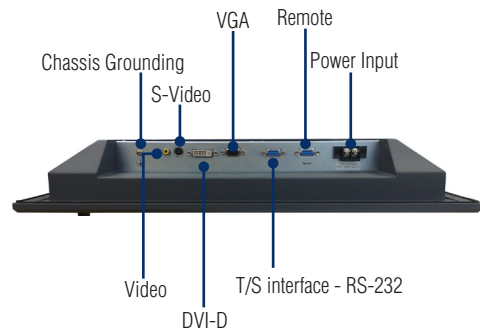


Panel Cut-out Dimensions: 499mm x 545mm

Front View (Panel Mount)



I/O View



Front OSD with Dimming Knob

